

## SkyPort™ the New Standard for Solar Carports

Created by the need for Safer, Faster and Simple connection of PV modules onto carport structures, our 'SkyPort' design reduces safety hazards present with traditional top-down module clamping hardware. SkyBite module mounting clamps are installed from below, **removing the need to climb, crawl, walk, straddle, stretch or employ fall protection when working from above the solar array.**



SkyPort saves money by speeding installation time. SkyBite saves money by replacing traditional module grounding devices, expensive copper wire, fasteners and extra time to install. PV modules can be portrait or landscape, designs are module specific.



### SkyPort Features

- ❖ Skyline Solar Super SkyPurlin and SkyBite Integrated PV Module Mounting & Grounding Clamp ETL Listed – UL467
- ❖ Single and Double Cantilever Designs – Module Specific
- ❖ PV Modules in Landscape or Portrait - Share Purlins
- ❖ Removes Top Clamps & Other Grounding Devices
- ❖ Improved Installation Time - Nearly 50% Less Labor
- ❖ Ergonomic Installation Limits Strains and Sprains
- ❖ Installers Removed From Affects of Hot Glass and Sun
- ❖ OSHA Safe Installation



### SkyPort Specifications

**Columns and Beams:** (sized per site load conditions)  
Wide Flange Beam: ASTM A992 Gr. 50  
Spacing: 18ft to 27ft O.C.  
Finish: One coat tinted water base rust inhibitive primer  
Optional: Hot Dip Galvanized ASTM A123

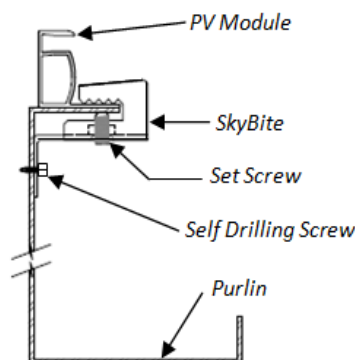
#### SkyPurlin

Cold Formed #14ga. Steel ASTM A570 Gr. 55  
Typical Size: 10" x 3-1/2" x 1-1/2"  
Finish: ASTM A653 G90 Galvanized

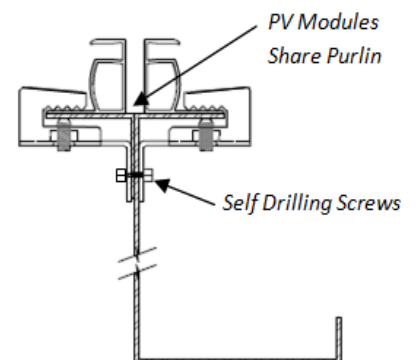
#### Trim-Channel

Cold Formed #14ga. Steel ASTM A570 Gr. 55  
Typical Size: 10-1/8" x 2"  
Finish: ASTM A653 G90 Galvanized

**SkyBite Grounding Clamp:** #14 ga. Stainless Steel  
5/16" S/S Set screw, #12-14 Self Drilling Screw



Single Purlin on North & South of Structure



Shared Purlin in Center Rows of Structure